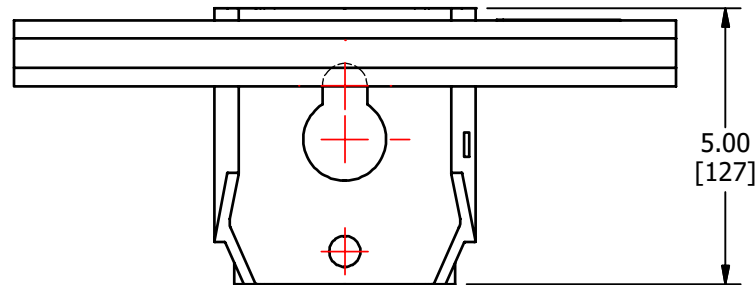
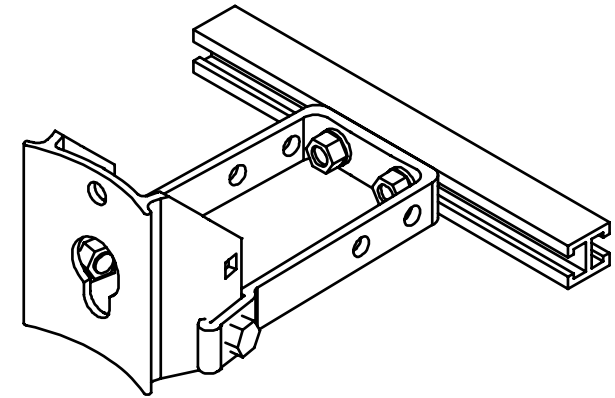
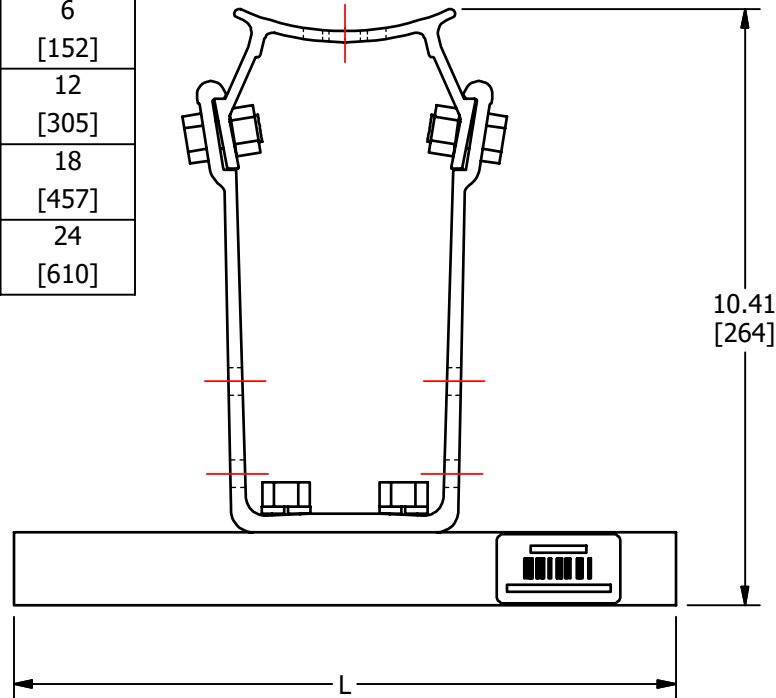


S.NO	CATALOG NUMBER	L
1	BASOCL9-6H	6 [152]
2	BASOCL9-12H	12 [305]
3	BASOCL9-18H	18 [457]
4	BASOCL9-24H	24 [610]



NOTES:

1. MATERIAL: ALUMINUM
2. STAND OFF BRACKET WITH INTERLOCKING EXTRUSIONS.
3. MOUNTS H-BAR AND CONDUIT 9" OFF FACE POLE.
4. REQUIRES ONE 1/2" THROUGH BOLT AND ONE 1/2" LAG BOLT TO ATTACH TO POLE.

					TO ORDER CMC PRODUCTS	DRAWN BY: TS	NAME OF PART:	CAT. NO.:
					UNITED STATES 1-513-860-4455	04-08-20	9" STANDOFF BRACKET WITH H-BAR	SEE TABLE
					CANADA 1-800-361-6975	CHECKED BY:	DWG NO:	A
					MEXICO 011-52-722-265-4400		UB20700537-S (CHARED)	
A	NEW DRAWING CREATED		02-12-19	TS	FOR PRODUCT INFO www.cmlugs.com	DRAWING NOT TO SCALE		SHEET NO: 1 OF 1
REV.	DESCRIPTION	ECN	DATE	INIT.				

THIS INFORMATION IS PROPRIETARY TO CONNECTOR MFG. CO. AND IS NOT TO BE DISCLOSED OUTSIDE OF CONNECTOR MFG. CO. WITHOUT A CONFIDENTIALITY AGREEMENT



CONNECTOR MANUFACTURING CO.

HAMILTON, OHIO

